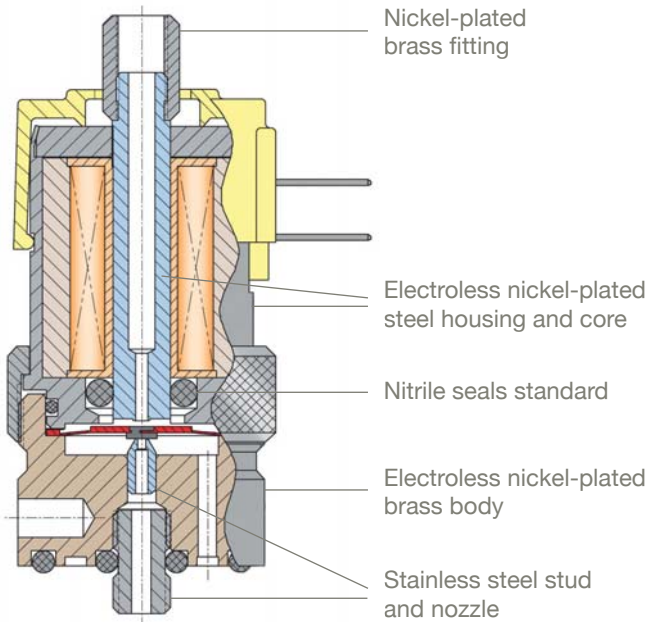
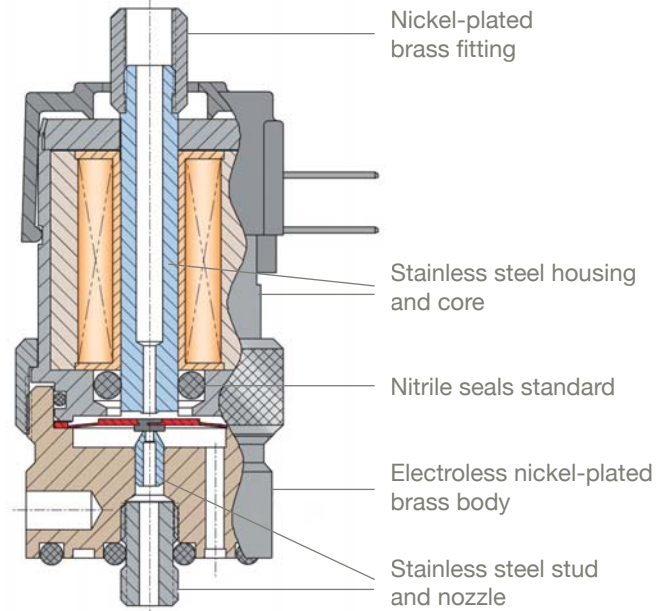


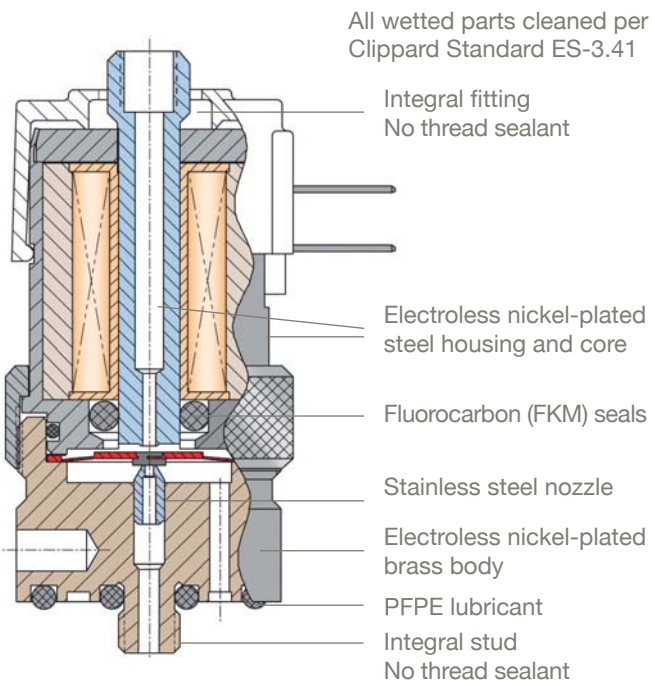
Standard Series



Corrosion-Resistant Series (MCR-)



Cleaned for Oxygen Series (MO-)



Electronic Analytical Series (MA-)

